

MPR Series

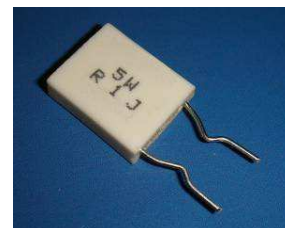
不燃金属板抵抗器 / Flameproof Metal Plate Resistor

Stackpole Electronics, Inc.

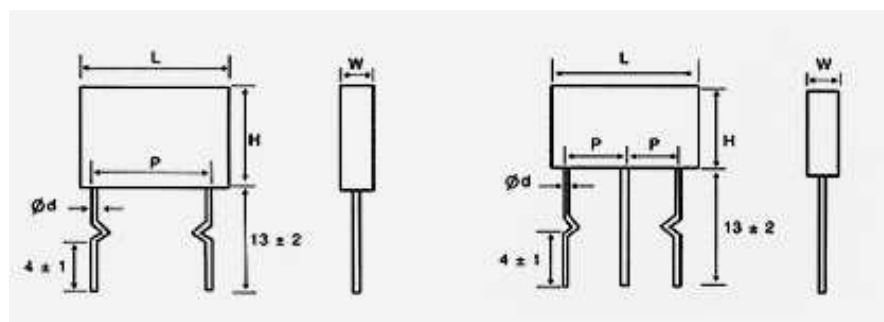
Resistive Product Solutions

特長 / Features:

- 小型で高定格電力対応
- 低抵抗値、低インダクタンス
- キンクリード線で基板の温度上昇を低減
- Small size with high power ratio
- Low resistance values and low inductance
- Crimped leads keep circuit board temperatures cooler

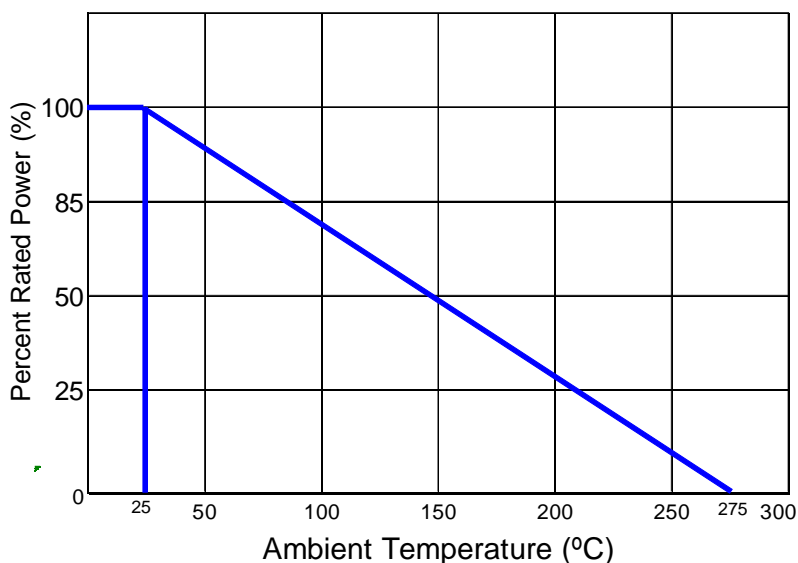


定格 / Electrical Specifications						
形名 Type / Code	定格電力 Power Rating (Watts) @ 70°C	最大使用電圧 Maximum Working Voltage	最大過負荷電圧 Maximum Overload Voltage	抵抗温度係数 Resistance Temperature Coefficient	抵抗値範囲(Ω) / 抵抗値許容差 Ohmic Range (Ω) and Tolerance	
					5%	10%
MPR 3	3W	350V	700V	±350 ppm/°C	0.01 - 0.47	0.01 - 0.47
MPR 5	5W					
MPRT 3	3W + 3W					
MPRT 5	5W + 5W					
MPRT 7	7W + 7W					

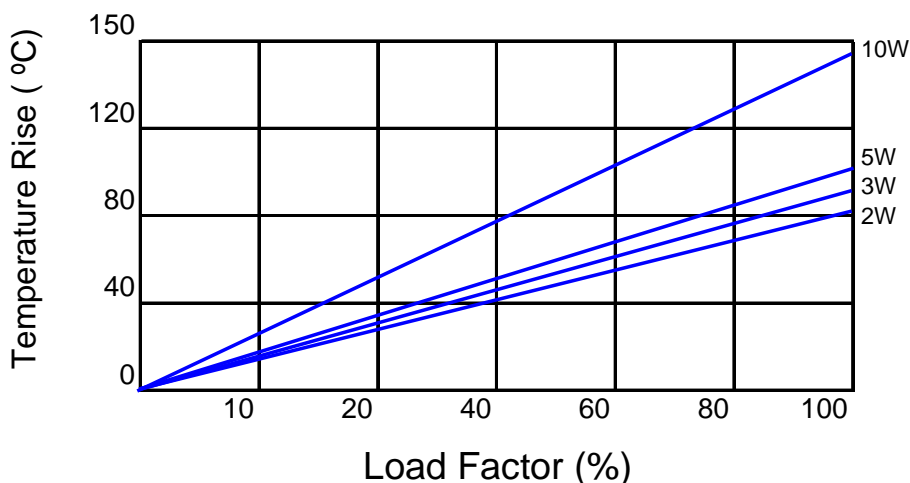


外形寸法 / Mechanical Specifications					
形名 Type / Code	寸法 / Dimensions (mm)				
	L	W	H	d	P
MPR 3	14.0 ± 1.5	5.0 ± 1.0	13.0 ± 1.0	0.8 ± 0.1	10.0 ± 1.0
MPR 5	14.0 ± 1.5	5.0 ± 1.0	18.0 ± 1.0	0.8 ± 0.1	10.0 ± 1.0
MPRT 3	26.0 ± 1.5	5.0 ± 1.0	13.0 ± 1.0	0.8 ± 0.1	10.0 ± 1.0
MPRT 5	26.0 ± 1.5	5.0 ± 1.0	18.0 ± 1.0	0.8 ± 0.1	10.0 ± 1.0
MPRT 7	26.0 ± 1.5	5.0 ± 1.0	20.0 ± 1.0	0.8 ± 0.1	10.0 ± 1.0

Power Derating Curve:



Load Factor:



性能 / Performance Characteristics		
試験項目 Test	試験方法 Test Method (JIS 5201-1)	規格値 Test Limit
短時間過負荷 Short Time Overload	2.5X, 5 sec.	$\Delta R \leq (2\% R_o + 0.05\Omega)$
耐電圧 Dielectric Withstanding Voltage	4.7	500V
温度急変 Thermal Shock	4.19	$\Delta R \leq (2\% R_o + 0.05\Omega)$
抵抗温度係数 Temperature Coefficient	4.8	$\pm 350\text{PPM}/^\circ\text{C}$
定格負荷 Load Life	4.25	$\Delta R \leq (3\% R_o + 0.05\Omega)$
高温高湿(定常) Load Life w/Humidity	4.23	$\Delta R \leq (3\% R_o + 0.05\Omega)$

形名構成 / How to Order

